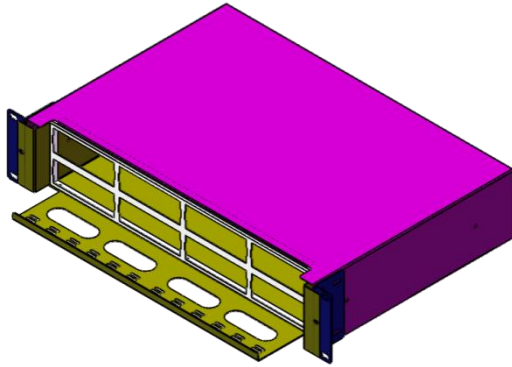


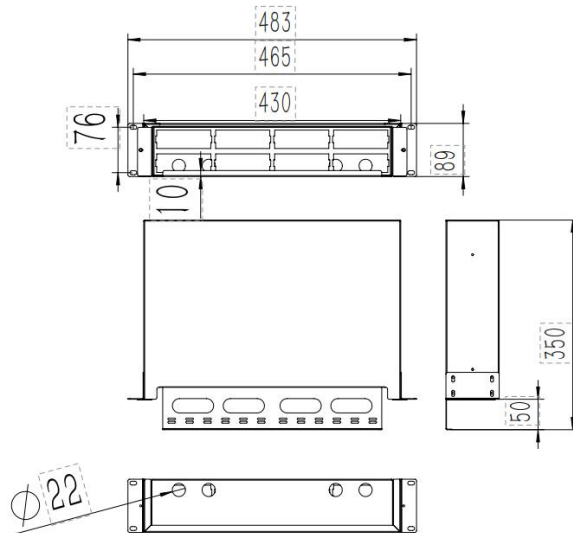
2U 19" 8 Cassettes Fiber Patch Panel Sliding Type



Features

- 8 Cassettes
- Sliding Type
- 2U 19" Mount
- Adapt to LC/SC/FC/ST Connector
- Material: SPCC cold Rolled Steel
- Thickness: 1.0mm
- Surface: Powder coating
- Color: Black and Grey
- Dimension: 48.3*35*8.9cm
- Weight: 5kgs
- 1U/2U/3U/4U is optional

Drawing



Accessories

- Splice Tray
- Cable Tie
- Self tapping Screws for Adapter
- M6 Screws for rack mount installation
- Wrapping ear
- Adapters and pigtails are optional

Environment of Adaptations:

- Storage: -40° ~ 70°
- Operation: -10° ~ 60°

For More Information:

Email: sales@telexmax.cn

www.telexmax.cn

www.telexmaxcable.com