

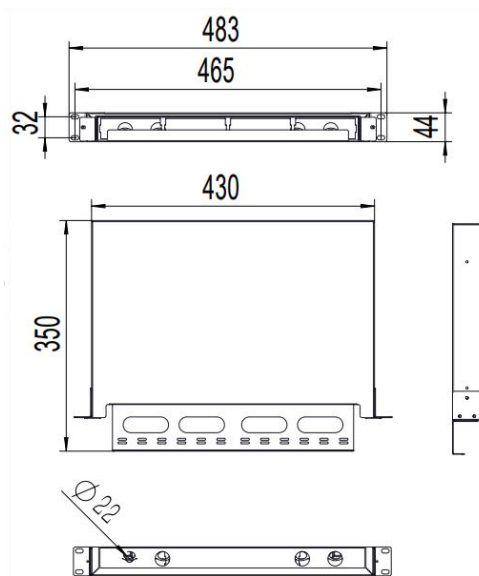
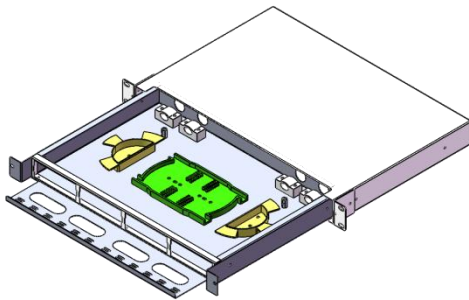
## 1U 19" 4 Cassettes Fiber Patch Panel Sliding Type



### Features

- 4 Cassette
- Sliding Type
- 1U 19" Mount
- Adapt to LC/SC/FC/ST Connector
- Material: SPCC cold Rolled Steel
- Thickness: 1.0mm
- Surface: Powder coating
- Color: Black and Grey
- Dimension: 48.3\*35\*4.4cm
- Weight: 4.5kgs
- 1U/2U/3U/4U is optional

### Drawing



### Accessories

- Splice Tray
- Cable Tie
- Self tapping Screws for Adapter
- M6 Screws for rack mount installation
- Wrapping ear
- Adapters and pigtails are optional

### Environment of Adaptations:

- Storage: -40° ~ 70°
- Operation: -10° ~ 60°

### For More Information:

Email: [sales@telexmax.cn](mailto:sales@telexmax.cn)

[www.telexmax.cn](http://www.telexmax.cn)

[www.telexmaxcable.com](http://www.telexmaxcable.com)